

F-theta Lens

HIGH PRECISION Optics, made in Japan.

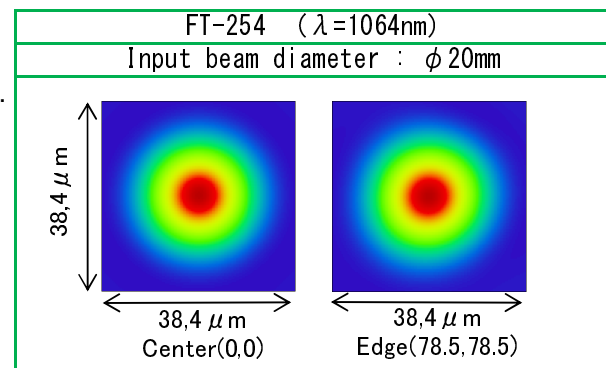
GEOMATEC

GEOMATEC has been developing thin film coating technology for half a century. Our thin film coatings play a vital role in the future of material processing technology. Since 1999, our dielectric multi-layer coatings have been applied to Laser processing lenses at first for the Japanese market. Now, GEOMATEC lenses have satisfied many customers all over the world with high accuracy, coating performance, quick delivery and technical support. Stable, high quality Laser optics make your device more stable.



Features

- Diffraction Limited resolution over the scanning area.
(Smaller spot shape variation over the scanning area)
- Replaceable lens protection window is available.
- We can offer custom products for your special applications.



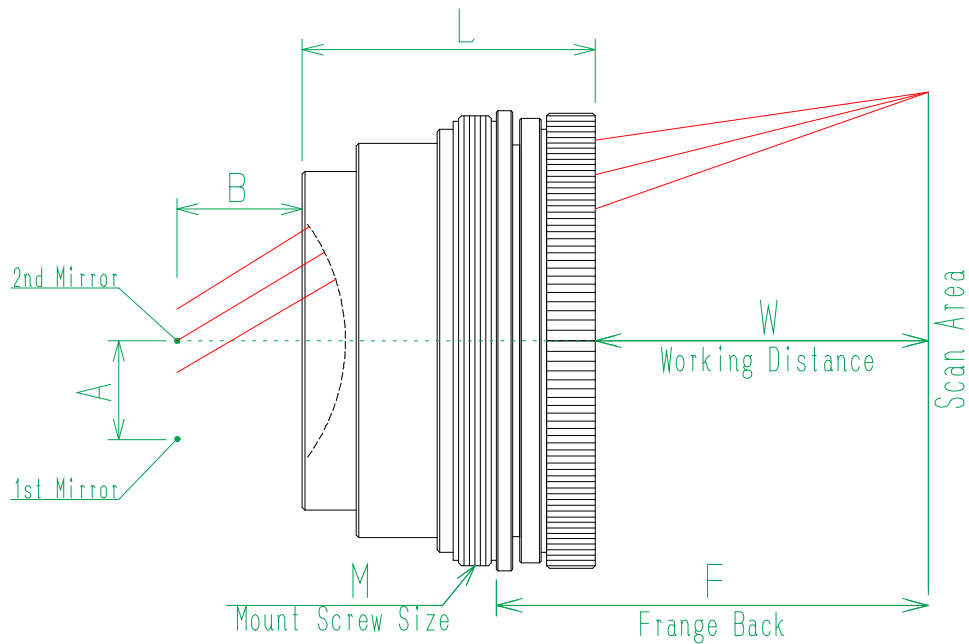
Specifications

Model	Wavelength	Focal Length	Scan Area (mm ²)	Input Beam dia.	Spot Size	Scan Angle	Note
FT-100	1064 nm	101.3 mm	56.5 × 56.5	$\phi 12$ mm	$\phi 17 \mu\text{m}$	$\pm 22.68^\circ$	
FT-150		151.9 mm	86 × 86	$\phi 12$ mm	$\phi 23 \mu\text{m}$	$\pm 22.62^\circ$	
FTC-150/065		150.0 mm	85 × 85	$\phi 12$ mm	$\phi 23 \mu\text{m}$	$\pm 22.94^\circ$	Color correction
FT-165		165.1 mm	116 × 116	$\phi 12$ mm	$\phi 26 \mu\text{m}$	$\pm 28.5^\circ$	
FT-254		254.0 mm	157 × 157	$\phi 20$ mm	$\phi 25 \mu\text{m}$	$\pm 25.0^\circ$	
FT-270		273.0 mm	164 × 164	$\phi 12$ mm	$\phi 41 \mu\text{m}$	$\pm 24.1^\circ$	
FT-350		350.0 mm	215 × 215	$\phi 20$ mm	$\phi 32 \mu\text{m}$	$\pm 24.9^\circ$	
FT-100SHG	532 nm	101.2 mm	56.5 × 56.5	$\phi 12$ mm	$\phi 7.7 \mu\text{m}$	$\pm 22.68^\circ$	
FT-165SHG		165.0 mm	101 × 101	$\phi 16$ mm	$\phi 13 \mu\text{m}$	$\pm 25.0^\circ$	
FT-100THG_TL	355 nm	114.3 mm	50 × 50	$\phi 10$ mm	$\phi 9.0 \mu\text{m}$	$\pm 18.05^\circ$	Telecentric
FT-150THG		152.8 mm	84 × 84	$\phi 12$ mm	$\phi 8.5 \mu\text{m}$	$\pm 22.5^\circ$	

F-theta Lens

HIGH PRECISION Optics, made in Japan.

GEO▲▲**MATEC**



Dimensions

Model	A (mm)	B (mm)	L (mm)	W (mm)	F (mm)	M
FT-100	18	11	52.3	107.5	126.0	M85P1
FT-150	18	18	54.1	170.1	188.4	M85P1
FTC-150/065	18	17	98.5	127.5	191.0	M85P1
FT-165	18	18	54	187.6	219.1	M85P1
FT-254	20	20	76	304.6	360.6	M85P1
FT-270	20	16	73.2	312.9	352.4	M85P1
FT-350	20	24	88	408.3	471.8	M110P1
FT-100SHG	18	13.5	64.5	94.5	128.2	M85P1
FT-165SHG	18	22	52.6	193.5	228.0	M85P1
FT-100THG_TL	13	22.5	106.1	109.86	163.9	M85P1
FT-150THG	18	16	94.3	126.6	183.9	M85P1

• Mirror distance (A and B) are recommended value.

Ordering and technical information



【Produced by】
GEOMATEC Co.,Ltd Yokohama, JAPAN

Precision Laser Scanning, LLC
25750 North 82nd Street
Scottsdale, Arizona 85255 USA
TEL 1-480-515-1643

info@precisionlaserscanning.com